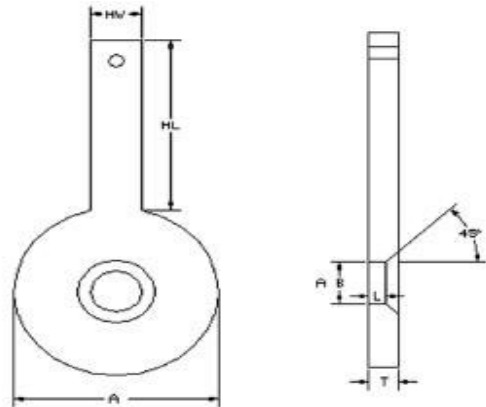


ORIFICE PLATES

Radafab Paddle Type **Orifice Plates** are manufactured for use with Raised Face Orifice Flanges and Holding Blocks.

Each plate is carefully manufactured to meet or exceed standards set by A.G.A., I.S.A., A.N.S.I., A.S.M.E. and A.P.I. recommendations. Available in 304 & 316 Stainless Steel; Carbon Steel; Duplex; and Hastalloy Materials. Also specify if Bevel on bore is required.



When Ordering Specify:

- Line Size
- Material
- Gasket Type if needed
- Delivery Date
- Plate Thickness
- Bore Size
- Quantity

Line Size (in)	Flange Rating A							HL (in)	HW (in)	T (in)
	150#	300#	400#	600#	900#	1500#	2500#			
1/2	1 7/8	2 1/8	2 1/8	2 1/8	2 1/2	2 1/2	2 3/4	4	1	1/8
3/4	2 1/4	2 5/8	2 5/8	2 5/8	2 3/4	2 3/4	3			
1	2 5/8	2 7/8	2 7/8	2 7/8	3 1/8	3 1/8	3 3/8			
1 1/4	3	3 1/4	3 1/4	3 1/4	3 1/2	3 1/2	4 1/8			
1 1/2	3 3/8	3 3/4	3 3/4	3 3/4	3 7/8	3 7/8	4 5/8			
2	4 1/8	4 3/8	4 3/8	4 3/8	5 5/8	5 5/8	5 3/4			
2 1/2	4 7/8	5 1/8	5 1/8	5 1/8	6 1/2	6 1/2	6 5/8			
3	5 3/8	5 7/8	5 7/8	5 7/8	6 5/8	6 7/8	7 3/4			
4	6 7/8	7 1/8	7	7 5/8	8 1/8	8 1/4	9 1/4			
5	7 3/4	8 1/2	8 3/8	9 1/2	9 3/4	10	11			
6	8 3/4	9 7/8	9 3/4	10 1/2	11 3/8	11 1/8	12 1/8			
8	11	12 1/8	12	12 5/8	14 1/8	13 7/8	15 1/4			
10	13 3/8	14 1/8	14 1/8	15 3/4	17 1/8	17 1/8	18 3/4			
12	16 1/8	16 5/8	16 1/2	18	19 5/8	20 1/2	21 5/8			
14	17 3/4	19 1/8	19	19 3/8	20 1/2	22 3/4	-			
16	20 1/4	21 1/4	21 1/8	22 1/4	22 5/8	25 1/4	-			
18	21 1/2	23 3/8	23 1/4	24	25	27 5/8	-			
20	23 3/4	25 5/8	25 3/8	26 3/4	27 3/8	29 5/8	-			
22	26	27 3/4	27 1/2	28 7/8	-	-	-			
24	28 1/8	30 3/8	30 1/8	31	32 7/8	35 1/2	-			
30	34 5/8	37 3/8	37 1/4	38 1/8	-	-	-			
36	41 1/8	43 7/8	43 7/8	44 3/8	-	-	-			

All dimensions are in inches. Additional sizes Available.