

May 27, 2019

Attention: Jun Wang
RADAFAB OILFIELD & INDUSTRIAL SUPPLY INC
7225 108 AVENUE SE
CALGARY, AB T2C 5G2

The design submission, tracking number 2019-03329, originally received on May 10, 2019 was surveyed and accepted for registration as follows:

CRN : OH09861.2 **Accepted on:** May 27, 2019
Reg Type: RENEWAL **Expiry Date:** May 27, 2029
Drawing No. : R09-1000 Rev 2
Fitting type: BLEED RINGS

Description	MAWP	Design Temperature
See Drawing		

The registration is conditional on your compliance with the following notes:

As indicated on AB-41 Statutory Declaration form and submitted documentation, the code of construction is SECTION VIII, DIV. 1.

- This registration is valid only for fittings fabricated at the location(s) covered by the QC certificate attached to the accepted AB-41 Statutory Declaration form.
- This registration is valid only until the indicated expiry date and only if the Manufacturer maintains a valid quality management system approved by an acceptable third-party agency until that date.
- Should the approval of the quality management system lapse before the expiry date indicated above, this registration shall become void.

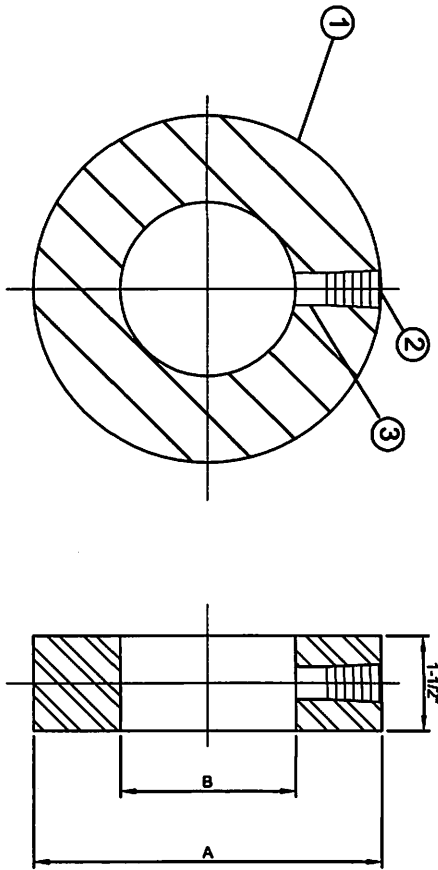
An invoice covering survey and registration fees will be forwarded from our Revenue Accounts.

If you have any question don't hesitate to contact me by phone at (780) 433-0281 ext 3360 or fax (780) 437-7787 or e-mail Issa@absa.ca.

Sincerely,



ISSA, SAMIR, P. Eng.
DOP Cert. No. D00009269



ORIP RINGS FOR RAISED FACE FLANGES DIMENSIONAL DATA

NORMAL PIPE SIZE	B (INCH)	A (INCH)						WEIGHT (LBS)					
		CL150	CL300	CL600	CL900	CL1500	CL150	CL300	CL600	CL900	CL1500		
1	1-1/8	2-1/2	2-3/4	2-3/4	3	3	2	2	2	3	3		
1-1/2	1-5/8	3-1/4	3-5/8	3-5/8	3-3/4	3-3/4	3	3	3	4	4		
2	2-1/8	4	4-1/4	4-1/4	5-1/2	5-1/2	4	5	5	9	9		
2-1/2	2-1/2	4-3/4	5	5	6-3/8	6-3/8	5	6	6	11	11		
3	3-1/8	5-1/4	5-3/4	5-3/4	6-1/2	6-3/4	6	8	8	11	12		
4	4-1/8	6-3/4	7	7-1/2	8	8-1/8	9	11	13	16	16		
6	6-1/8	8-5/8	9-3/4	10-3/8	11-1/4	11	12	19	23	30	28		
8	8	10-7/8	12	12-1/2	14	13-3/4	18	27	31	44	42		
10	10-1/8	13-1/4	14-1/8	15-5/8	17	17	24	32	47	62	62		
12	12	16	16-1/2	17-3/4	19-3/8	20-1/4	37	43	57	77	89		

BILL OF MATERIAL

ITEM	QTY	MATERIAL
1	1	RING
2	1	3/4" NPT
3	1	Ø6" DRILL

NOTES:
 1. FLANGE SPEC. PER B16.9
 2. THE EXTERNAL PRESSURE IS 15 PSI

MATERIAL SUBSTITUTION

SA240-316/316L, SA240-304/304L TO RETIRED OF SA516-70N

DESIGN AND NAME PLATE DATA

Designed and fabricated to ASME Section VIII Div. 1 - 2017 Edition **A**
 MIN Design SEATING STRESS: 10000 PSI
 Design Temperature: LIMITED BY FLANGE
 Design Pressure: LIMITED BY FLANGE
 Stress Relief: Constrain Allowance 0.125" (3.2mm)
 Serial #
 M.D.M.T.: -50°F (-46°C) - SA516-70N CRN # 0H09881.2
 Year Built: 2019
 M.D.M.T.: -150°F (-104°C) - SA240 316L OR SA240 304L **A**
 Impact Test: FOR SA516-70N IMPACT TEST PER UG-64
 FOR SA240-316L OR SA240-304L IMPACT TEST EXEMPT PER UH-51(6)

REV	DESCRIPTION	DATE	DRAWN BY	CHECKED APPROVED
1	ADDED NEW MATERIAL	20190203	WJ	WJ
2	CHANGED EXEMPT TO EXEMPT	20190506	WJ	WJ



BLEED RING

FOR: -
 DRAWN BY: -
 APPROVED BY: -
 CUSTOMER APPROVED BY: -
 SCALE: NTS 09-1000
 JOB NO.: R09-1000
 DWG. NO.: R09-1000
 REV: 2

THIS DRAWING SHALL NOT BE REPRODUCED IN ANY MANNER, OR FOR ANY PURPOSE, EXCEPT BY WRITTEN PERMISSION OF RADAFAB OILFIELD & INDUSTRIAL SUPPLY INC. AND IS PROTECTED BY COPYRIGHT LAW. THIS DRAWING MUST BE STAMPED, SIGNED AND DATED TO BE APPROVED FOR CONSTRUCTION. FOR ALL DRAWINGS REGARDING THIS DATE OR REVISION NUMBER. SHEET 1 OF 1